

Sophos Anti-Virus provides integrated cross-platform virus detection and disinfection on servers, desktops and laptops. Mobile devices are protected during synchronisation. It offers on-access, scheduled and on-demand scanning. Its unique architecture intelligently determines which files need to be virus checked, maximising user transparency and minimising performance overhead. Sophos Anti-Virus incorporates powerful management tools which enable centralised installation, configuration, updating and reporting.

How it works

Sophos Anti-Virus uses the Sophos virus detection engine to scan for viruses.

Sophos's patented InterCheck technology optimises on-access virus detection. It uses a combination of virus scanning and checksumming to minimise the number of times each file needs to be virus checked, without compromising security.

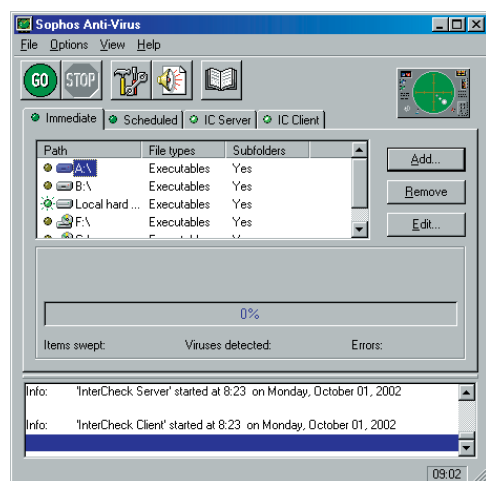
Installation, configuration and updating are centrally controlled. A range of management software allows administrators to monitor and control the network. No end-user intervention is required.

Sophos Anti-Virus is installed into a central installation directory (CID) from which servers and workstations on the network are automatically updated.

Enterprise Manager maintains network CIDs by providing automatic web-based downloads from the Sophos databank. SAVAdmin then manages Sophos Anti-Virus across an entire Windows network, while Remote Update allows users to update from a remote location.

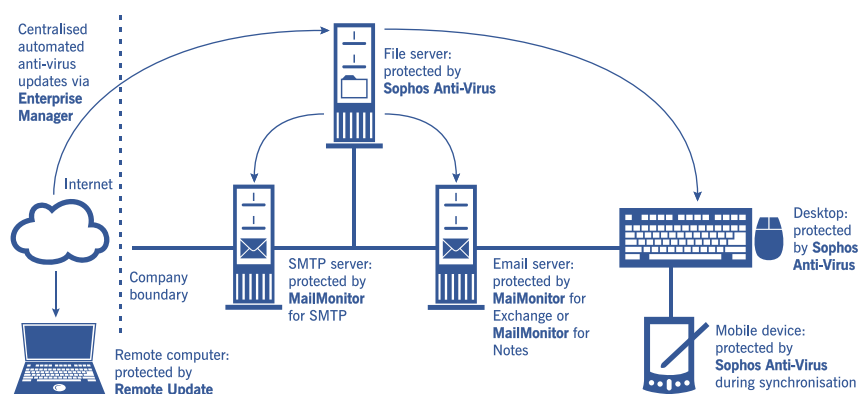
Features and benefits

- Monitors all virus entry points, including disks, programs, documents, network drives CD-ROMs, as well as email and internet downloads at the desktop.
- Detects and disinfects macro viruses, boot sector viruses and PE executable viruses.
- Detects viruses in compressed attachments, including recursive archives.
- Detects polymorphic viruses using Sophos's advanced Virus Description Language (VDL) and a built-in code emulator.
- Reduces scanning overheads by intelligently recognising uninfected file types.
- Allows virus checking to be performed automatically at scheduled times.
- Features an "immediate mode" which allows virus checking on demand.
- Provides automatic centralised reporting of every virus incident.
- Can be installed automatically on multiple workstations.
- Allows remote update and administration across the network using SAVAdmin.
- Allows constant automated web-based downloads of the latest updates to the network via Enterprise Manager.
- Allows remote update of individual laptops via the internet from the user's company website.
- Receives small (about 1 Kb) updates.
- Cannot be disabled by end users.
- Is available in multiple language versions.
- Includes 24-hour support, 365 days a year.



Sophos Anti-Virus for Windows NT/2000/XP/2003

- Function** Protects laptops, desktops and servers by detecting, reporting and disinfecting viruses.
- On-demand scanning** Immediate scanning and scheduled scanning of volumes, directories and individual files via a graphical interface or command line interface.
- On-access scanning** Intercepts and scans files as they are accessed using InterCheck technology.
- Virus identity updates** Continuous updates are available via the Sophos databank website using Enterprise Manager, or for individual remote users, from their company website using Remote Update. Updates are also available on www.sophos.com and monthly Sophos CD.
- Virus alerts** Notification of a virus can be by a variety of means – desktop alerts, network messages, InterCheck server event, SMTP email, SNMP trap and log files.
- OS supported** Windows 95/98/Me and NT/2000/XP/2003.
DOS/Windows 3.1x.
Mac OS 8.1 or greater.
Mac OS X.
OS/2 Warp version 3 or greater (version 4 for InterCheck).
Novell NetWare 3.2/4.2/5.1 and 6.
AIX on PowerPC 4.2 or greater.
SunOS 5.6 or greater; Solaris on SPARC 7 or greater; Solaris on Intel 7 or greater.
Linux on Intel kernel version 2.2.7 or greater (libc6 or libc5); Linux on Alpha 5.2 or greater.
FreeBSD on Intel 3.0 or greater.
SCO UnixWare on Intel 7.0 or greater; SCO OpenServer on Intel 5.0.5 or greater.
Digital Unix v4.0D or greater; Compaq True64 Unix 5 or greater.
HP/UX on HP-PA 10.20 or greater.
OpenVMS on Alpha 1.0 or greater; OpenVMS on VAX 4.0 or greater.
- Languages supported** English, Spanish, French, German, Japanese and Brazilian Portuguese.
- Note** Not all functionality is available on all platforms. Specific platform information and details of product certification can be found at <http://www.sophos.com/products/sav/>.



Sophos Anti-Virus protecting all virus entry points

30-day evaluation software can be obtained from <http://www.sophos.com/products/>

fs/030821

SOPHOS PTY LTD
Sydney, Australia

SOPHOS SARL
Paris, France

SOPHOS GMBH
Mainz, Germany

SOPHOS SRL
Milan, Italy

SOPHOS KK
Yokohama, Japan

SOPHOS ASIA
Singapore

SOPHOS PLC
Oxford, UK

SOPHOS INC
Boston, MA, USA

SOPHOS
WWW.SOPHOS.COM